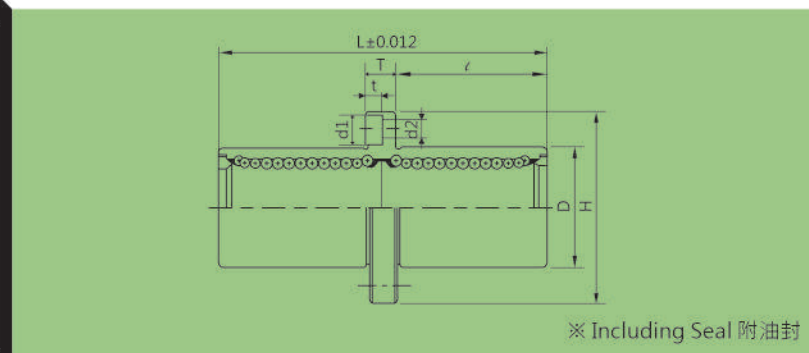
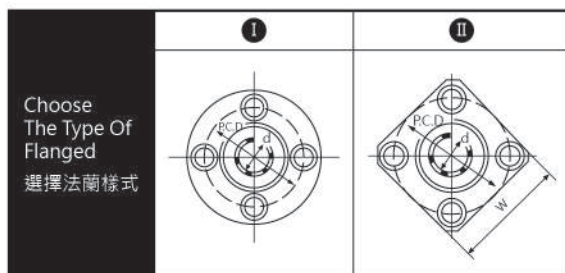


HWLB-018



※ Including Seal 附油封

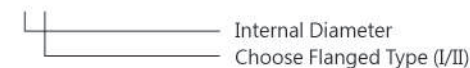
Type 項次	Material 材質			Hardness 硬度	Delivery 交貨日
HWLB-018	Outer Cylinder 外筒	Balls 滾珠	Retainer 保持器	58HRC~	10 Working Days 10 個工作日
	SUJ2	SUJ2	Plastic(Duracon M90 Equivalent) 樹脂(相當於工程塑膠M90)		



Type	d	TOL	D	TOL	L	ℓ	H	T	d2	d1	t	P.C.D	W	Eccen- -tricity (Max) 偏心 (最大)	Perpen- -dicular -ity (Dynamic) 垂直度 (Dynsic)	Basic Ratingload 基本額定負荷 Co(靜態)N (Static)	Co(動態)N (Dynamic)
HWLB-018	.2500 (6.350)	0 -0.004	.5000 (12.700)	0 -0.005	1.3750 (34.925)	.5781 (14.684)	1.2500 (31.750)	.2188 (5.556)	.1563 (3.969)	.2500 (6.350)	.1406 (3.572)	.8750 (22.225)	1.0000 (25.400)	.0006	.0006	323	530
	.3750 (9.525)	0 -0.004	.6250 (15.875)	0 -0.0065	1.5938 (40.481)	.6719 (17.066)	1.5000 (38.100)	.2500 (6.350)	.1875 (4.763)	.2969 (7.541)	.1719 (4.366)	1.0625 (26.988)	1.2500 (31.750)	.0006	.0006	353	630
	.5000 (12.700)	0 -0.004	.8750 (22.225)	0 -0.0065	2.3750 (60.325)	1.0625 (26.988)	1.7500 (44.450)	.2500 (6.350)	.1875 (4.763)	.2969 (7.541)	.1719 (4.366)	1.3125 (33.338)	1.3750 (34.925)	.0006	.0006	813	1570
	.6250 (15.875)	0 -0.004	1.1250 (28.575)	0 -0.0065	2.8125 (71.438)	1.2816 (32.544)	2.0000 (50.800)	.2500 (6.350)	.1875 (4.763)	.2969 (7.541)	.1719 (4.366)	1.5625 (39.688)	1.5000 (38.100)	.0006	.0006	1230	2350
	.7500 (19.050)	0 -0.005	1.2500 (31.750)	0 -0.0075	3.0937 (78.581)	1.3906 (35.322)	2.1875 (55.563)	.3125 (7.938)	.2188 (5.556)	.3438 (8.731)	.2031 (5.159)	1.7188 (43.656)	1.6875 (42.863)	.0008	.0008	1370	2740
	1.0000 (25.400)	0 -0.005	1.5625 (39.688)	0 -0.0075	4.2813 (108.744)	1.9844 (50.403)	2.5000 (63.500)	.3125 (7.938)	.2188 (5.556)	.3438 (8.731)	.2031 (5.159)	2.0313 (51.594)	2.0000 (50.800)	.0008	.0008	1570	3140
	1.2500 (31.750)	0 -0.006	2.0000 (50.800)	0 -0.0090	5.0000 (127.000)	2.3125 (58.738)	3.1250 (79.375)	.3750 (9.525)	.2813 (7.144)	.4603 (10.319)	.2656 (6.747)	2.5625 (65.088)	2.5000 (63.500)	.0010	.0010	2500	5490
	1.5000 (38.100)	0 -0.006	2.3750 (60.325)	0 -0.0090	5.6875 (144.463)	2.5938 (65.882)	3.7500 (95.250)	.5000 (12.700)	.3437 (8.731)	.5000 (12.700)	.3281 (8.334)	3.0625 (77.788)	3.0000 (76.200)	.0010	.0010	3430	8040
	2.0000 (50.800)	0 -0.006	3.0000 (76.200)	0 -0.0100	7.7500 (196.850)	3.6250 (92.075)	4.3750 (111.125)	.5000 (12.700)	.3437 (8.731)	.5000 (12.700)	.3281 (8.334)	3.6875 (93.662)	3.5000 (88.900)	.0012	.0012	6080	15900

Order Ex. 訂購範例

HWLB-018-d-□



內徑  
選擇法蘭樣式(I/II)