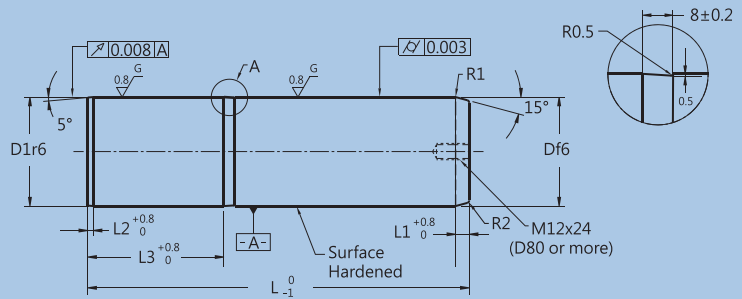
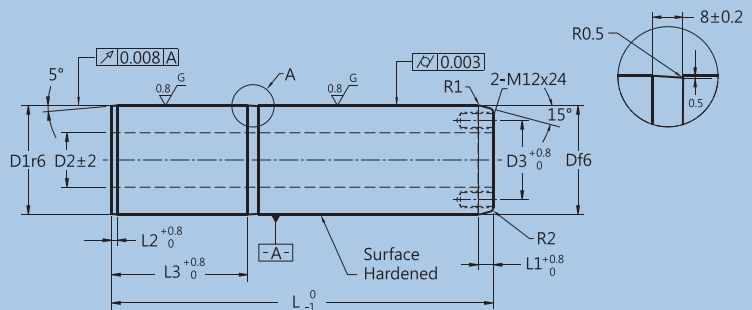


SZ-DGPMA



SZ-DGPMB



Type 品名	Material 材質	Heat Treatment 熱處理	Hardness 硬度	Delivery 交貨日
SZ-DGPMA	S45C	Surface Hardened	HRC 55~	8 Working Days
SZ-DGPMB		高頻淬火		8 個工作日

Type	D	TOL.	L	D1	TOL.	L1	L2	L3	R1	R2	DIN Code
SZ-DGPMA	25	-0.020 -0.033	125/140/160/180/200/224	25	+0.041 +0.028	8	4	40	3	2	DIN9833-D25 x L x 8
	32	-0.025 -0.041	125/140/160/180/200/224/250	32	+0.050 +0.034	8	4	45	3	2	DIN9833-D32 x L x 8
	40	-0.025 -0.041	140/160/180/200/224/250/280	40	+0.050 +0.034	8	4	56	3	2	DIN9833-D40 x L x 8
	50	-0.025 -0.041	160/180/200/224/250/280/315/355	50	+0.050 +0.034	10	4	70	5	2.5	DIN9833-D50 x L x 10
	63	-0.030 -0.049	180/200/224/250/280/315/355/400	63	+0.060 +0.041	10	4	80	6	2.5	DIN9833-D63 x L x 10
	80	-0.030 -0.049	200/224/250/280/315/355/400/450/500	80	+0.062 +0.043	10	4	100	8	3	DIN9833-D80 x L x 10
	100	-0.036 -0.058	224/250/280/315/355/400/450/500	100	+0.073 +0.051	10	4	125	10	3	DIN9833-D100 x L x 10

Type	D	TOL.	L	D1	TOL.	L1	L2	L3	R1	R2	D2	D3	DIN Code
SZ-DGPMB	80	-0.030 -0.049	200/224/250/280/315/355/400/450/500	80	+0.062 +0.043	10	4	100	8	3	40	58	DIN9833-D80 x L x 10H
	100	-0.036 -0.058	224/250/280/315/355/400/450/500	100	+0.073 +0.051	10	4	125	10	3	50	72	DIN9833-D100 x L x 10H
	125	-0.043 -0.068	315/355/400/450/500	125	+0.088 +0.063	12	5	140	12	4	65	90	DIN9833-D125 x L x 12H
	160	-0.043 -0.068	400/450/500/560	160	+0.090 +0.065	12	5	180	18	4	95	132	DIN9833-D160 x L x 12H

Order Ex. 訂購範例

SZ-DGPMA-D-L